

**ALUMINIUM SUPPORT SYSTEM FOR
RAINSCREEN CLADDING
XKELEX X-BK50**

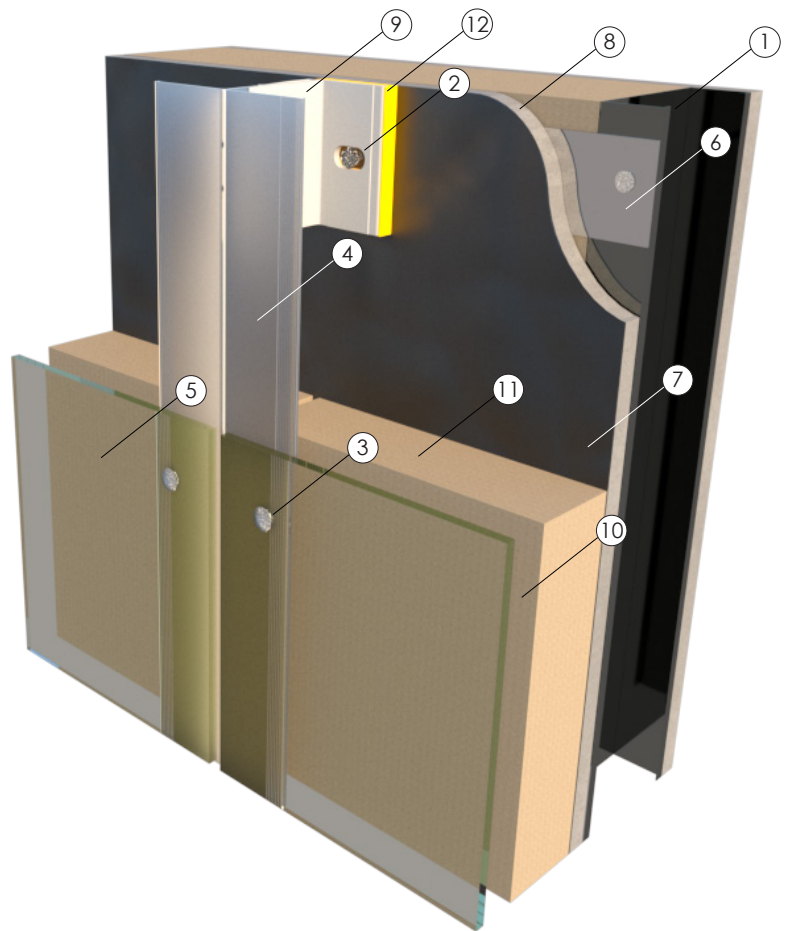


LEGEND

- 1. Steel Stud (16 GA typical)
- 2. Wall anchor
- 3. SFS Rivet or Torx head screw
- 4. X-T50 profile
- 5. Exterior panel
- 6. Steel Backing Plate
- 7. A/V Barrier
- 8. Exterior Wall
- 9. X-BK50-S Bracket
- 10. Air chamber
- 11. Mineral Wool
- 12. X-TB-BK50

CONTENT

- BK50-00 Xkelex System detail sheet
- BK50-01 Profiles
- BK50-02 Building Elevation
- BK50-03 Vertical Panel Joint
- BK50-04 Horizontal Mid Panel
- BK50-05 Window Jamb
- BK50-06 Door Jamb
- BK50-07 Inside Corner
- BK50-08 Outside Corner
- BK50-09 Window Head
- BK50-10 Horizontal Panel Joint
- BK50-11 Window Sill
- BK50-12 Base Detail



NOTES:



SYSTEM:

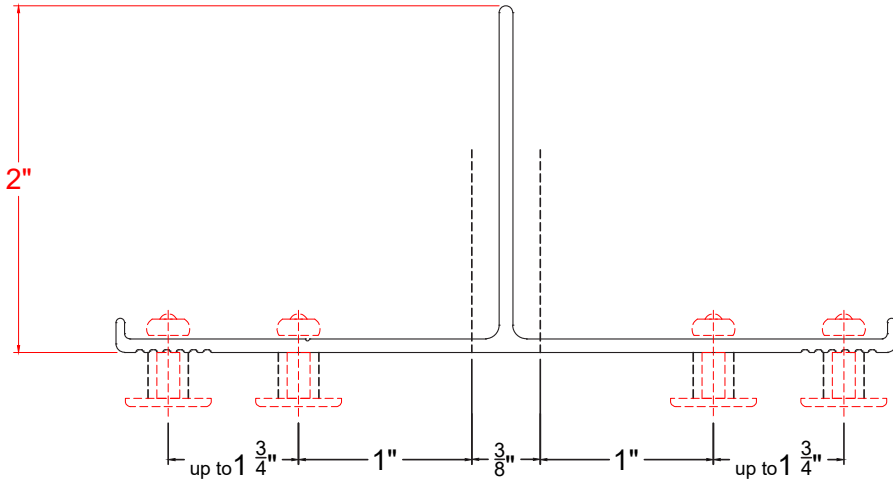
X-BK50

DETAIL:

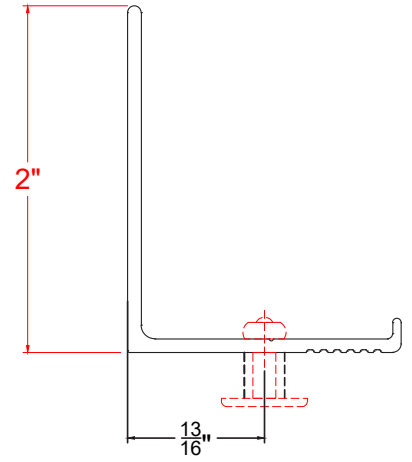
XKELEX SYSTEM

DETAIL SHEET:

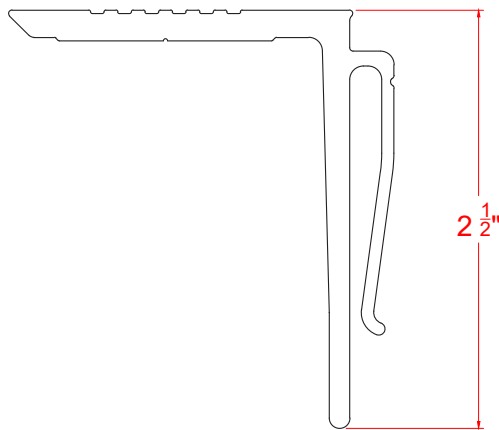
BK50-00



X-T50 PROFILE



X-L50 PROFILE



X-BK50-S BRACKET

NOTES:



SYSTEM:

X-BK50

DETAIL:

PROFILES

DETAIL SHEET:

BK50-01



NOTES:



SYSTEM:

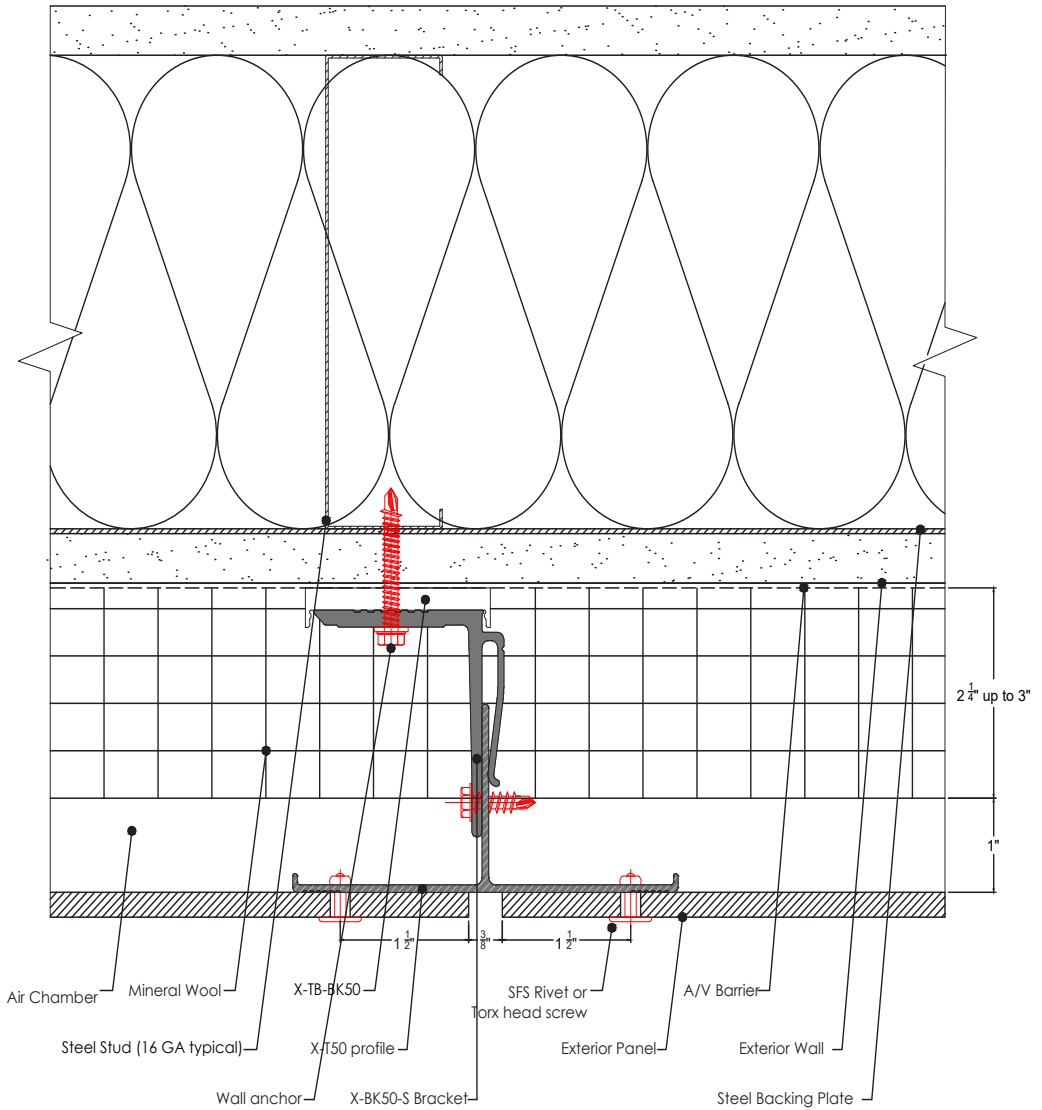
X-BK50

DETAIL:

BUILDING ELEVATION

DETAIL SHEET:

BK50-02



NOTES:



SYSTEM:

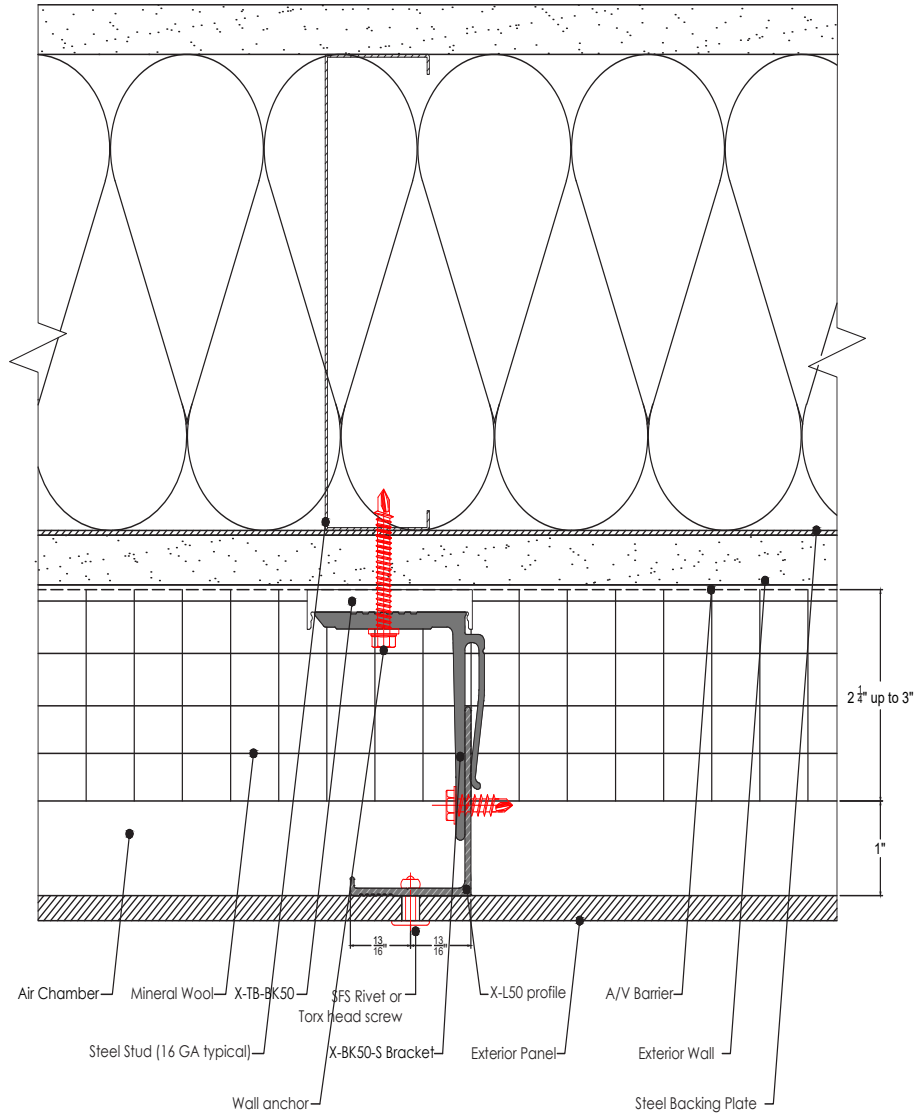
X-BK50

DETAIL:

PLAN VIEW VERTICAL PANEL JOINT

DETAIL SHEET:

BK50-03



NOTES:



SYSTEM:

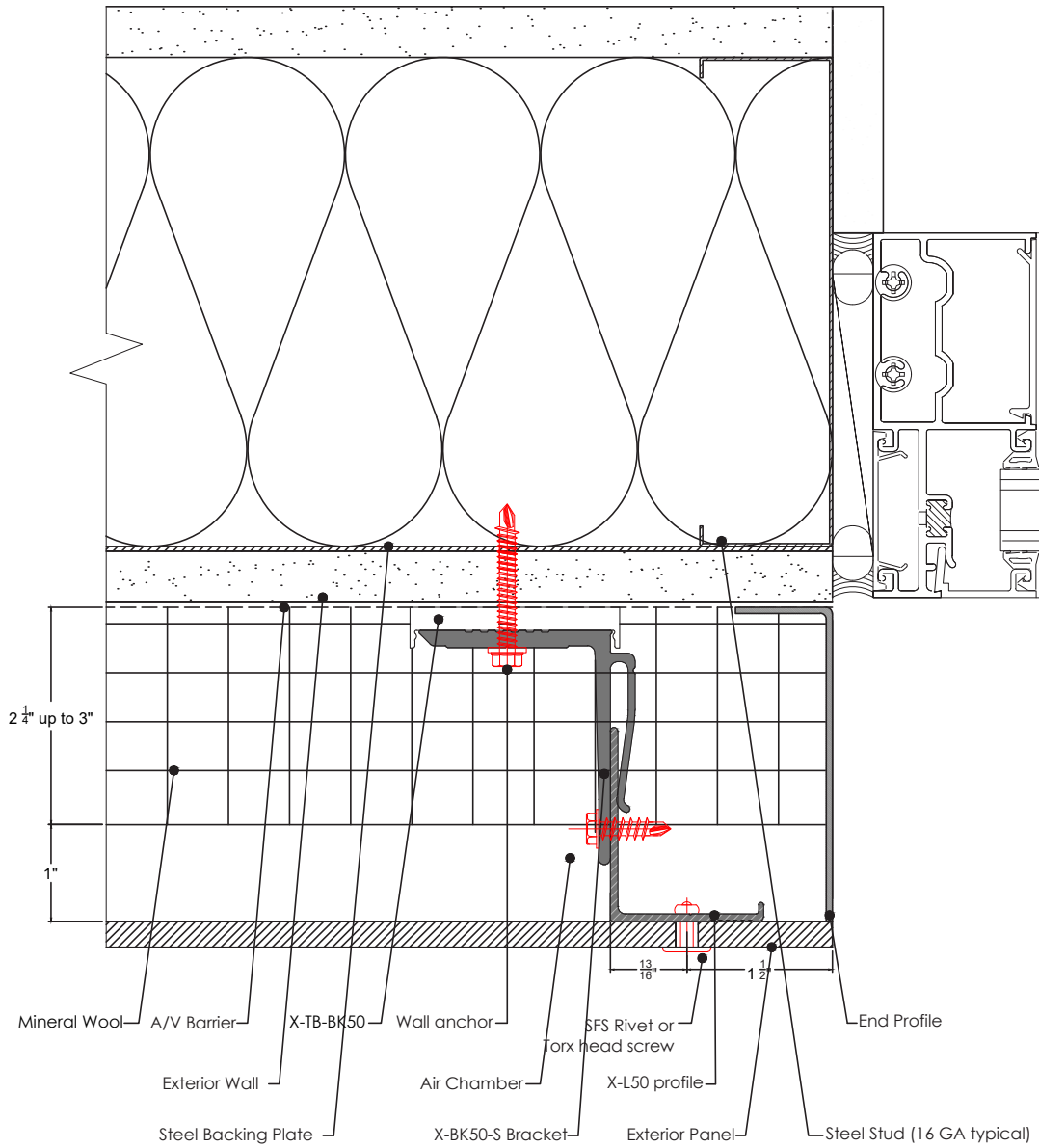
X-BK50

DETAIL:

PLAN VIEW MID PANEL

DETAIL SHEET:

BK50-04



NOTES:



SYSTEM:

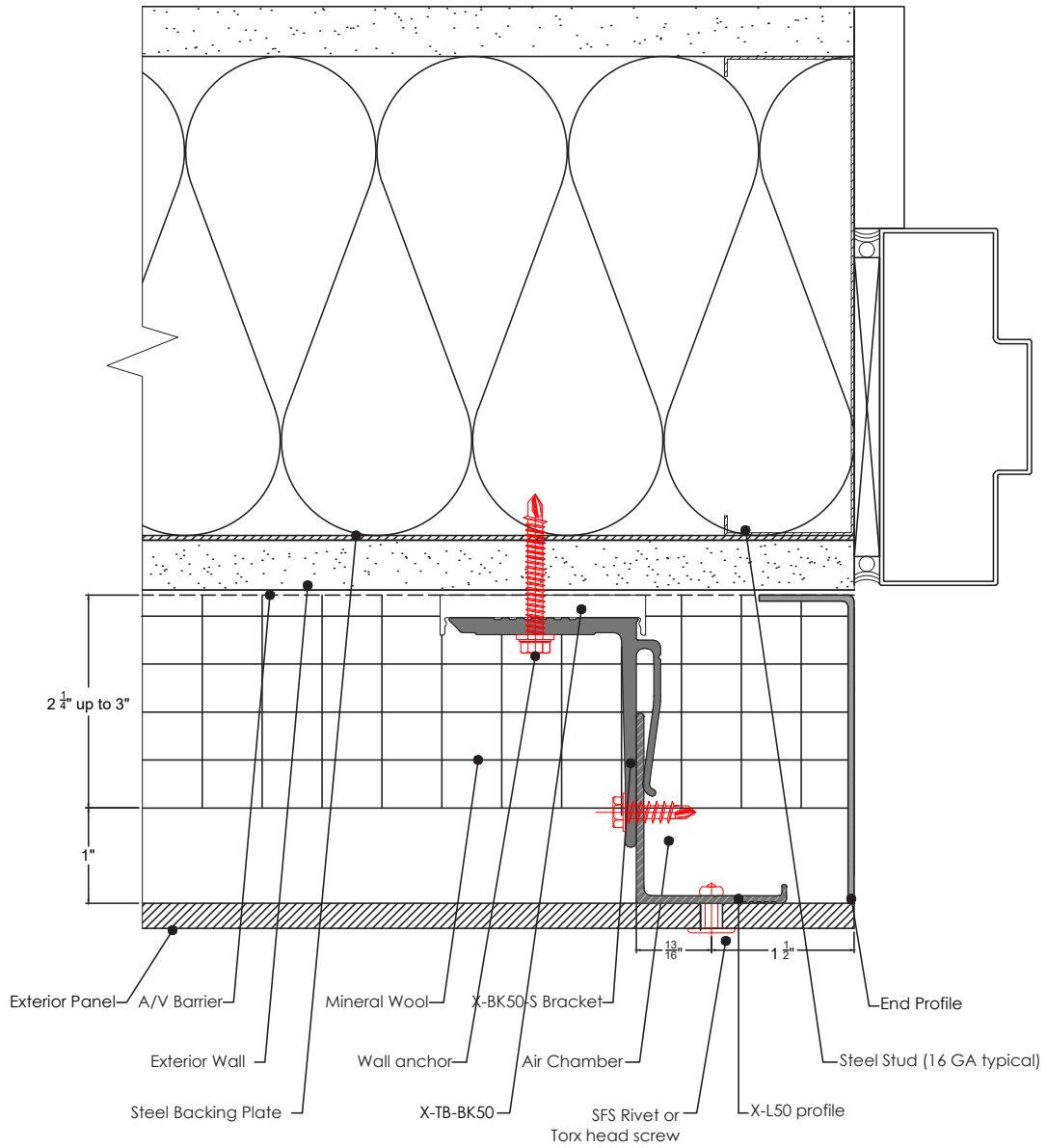
X-BK50

DETAIL:

PLAN VIEW WINDOW JAMB

DETAIL SHEET:

BK50-05



NOTES:



SYSTEM:

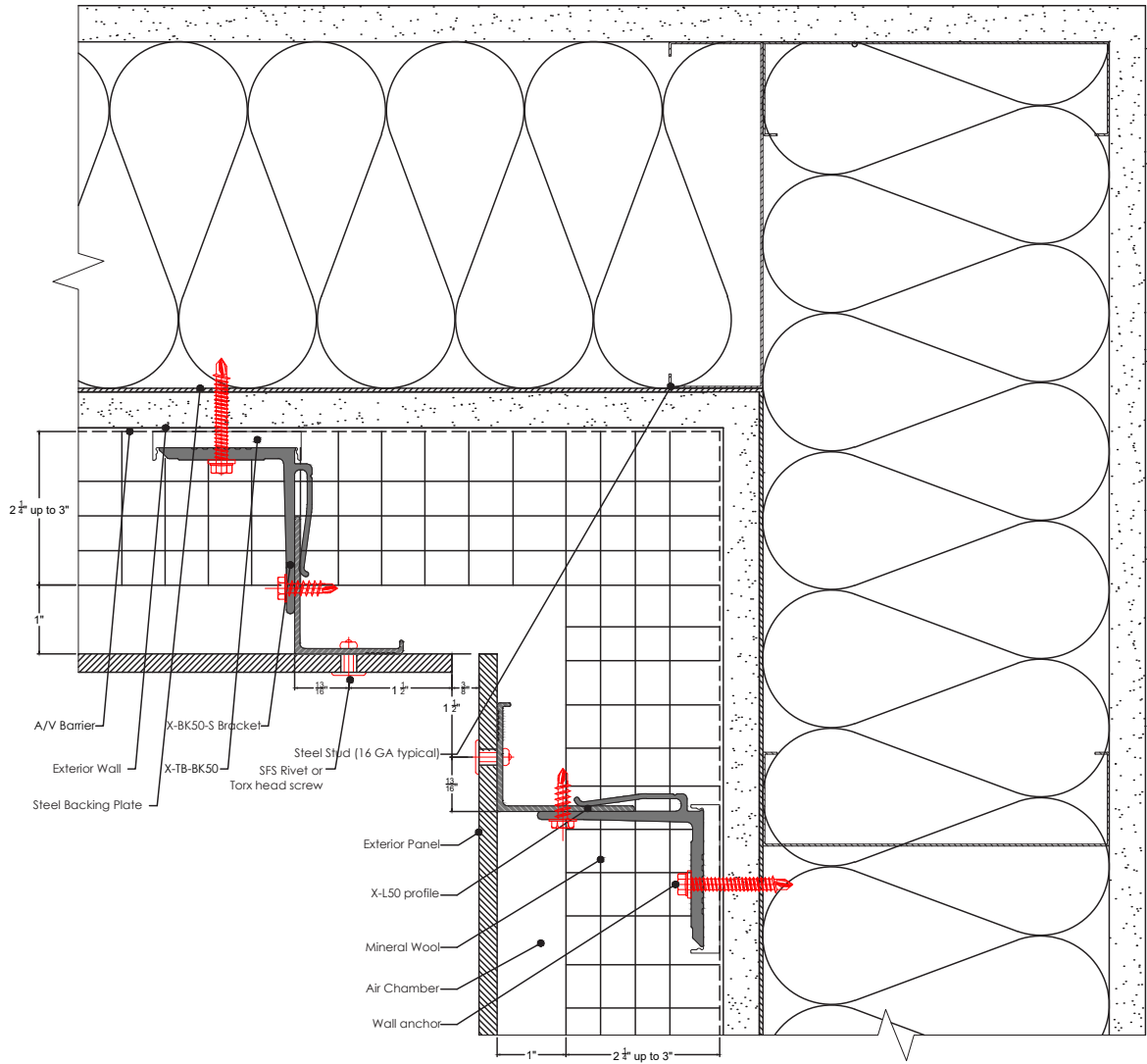
X-BK50

DETAIL:

PLAN VIEW DOOR JAMB

DETAIL SHEET:

BK50-06



NOTES:



SYSTEM:

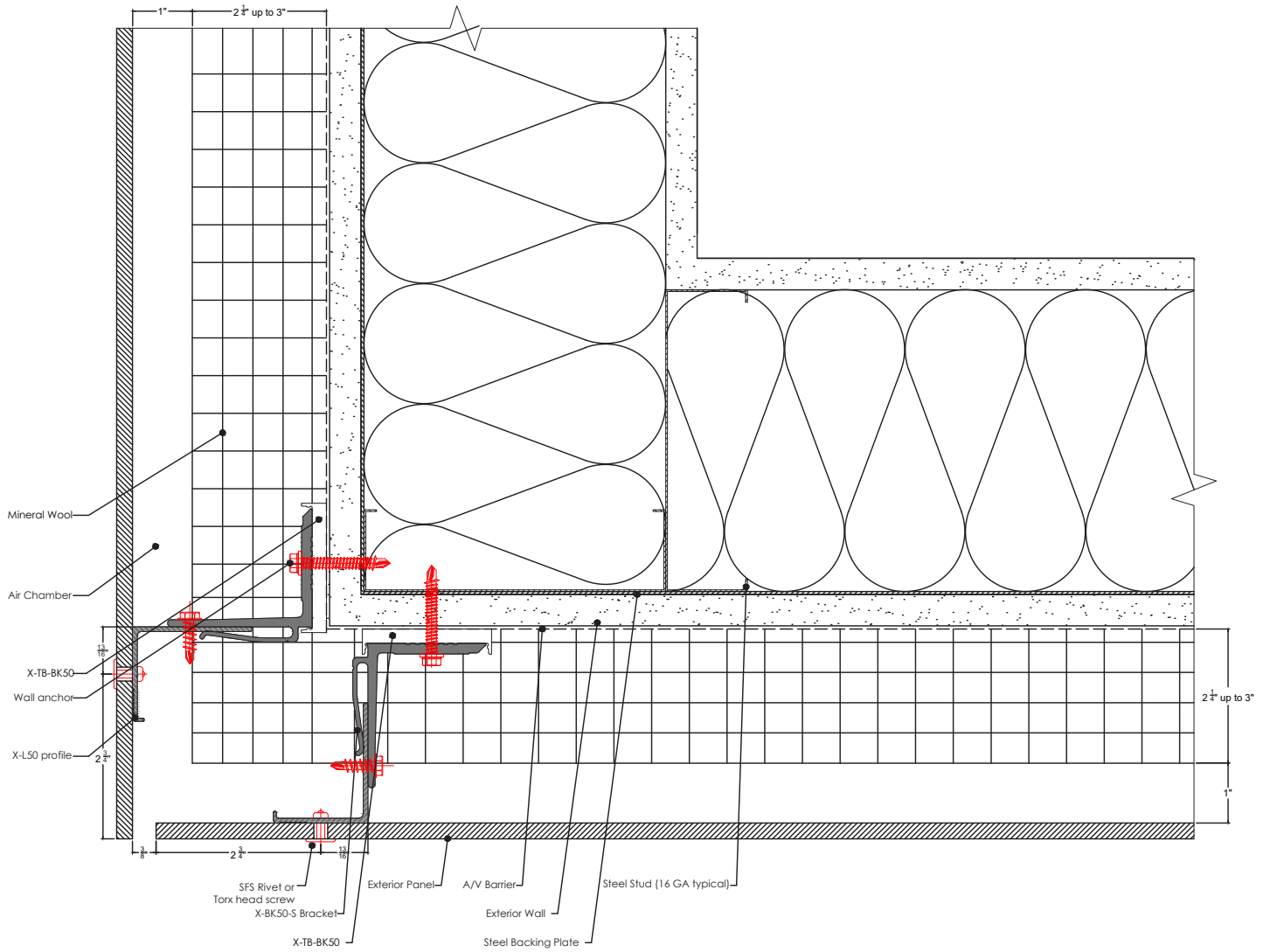
X-BK50

DETAIL:

PLAN VIEW INSIDE CORNER

DETAIL SHEET:

BK50-07



NOTES:



SYSTEM:

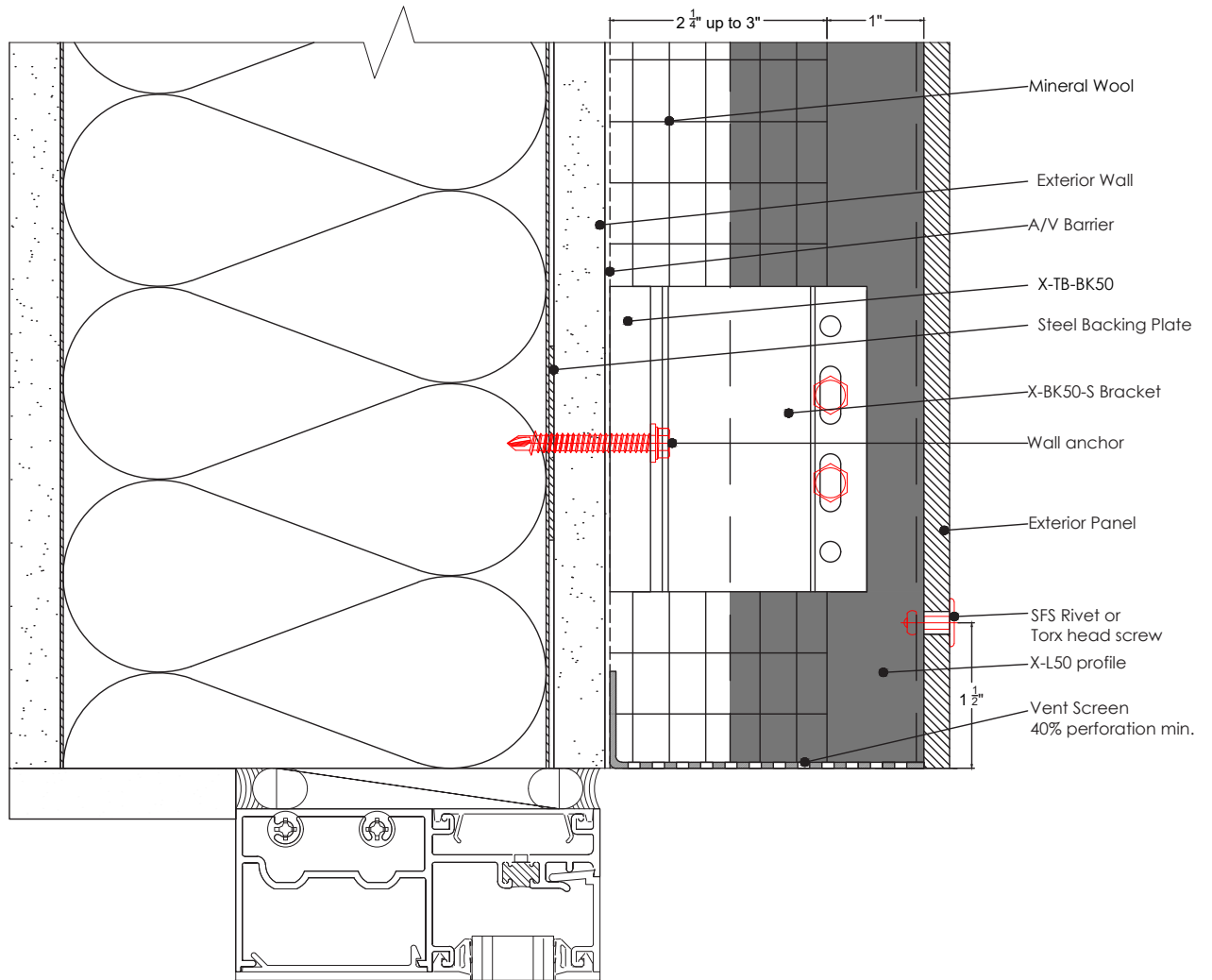
X-BK50

DETAIL:

PLAN VIEW OUTSIDE CORNER

DETAIL SHEET:

BK50-08



NOTES:



SYSTEM:

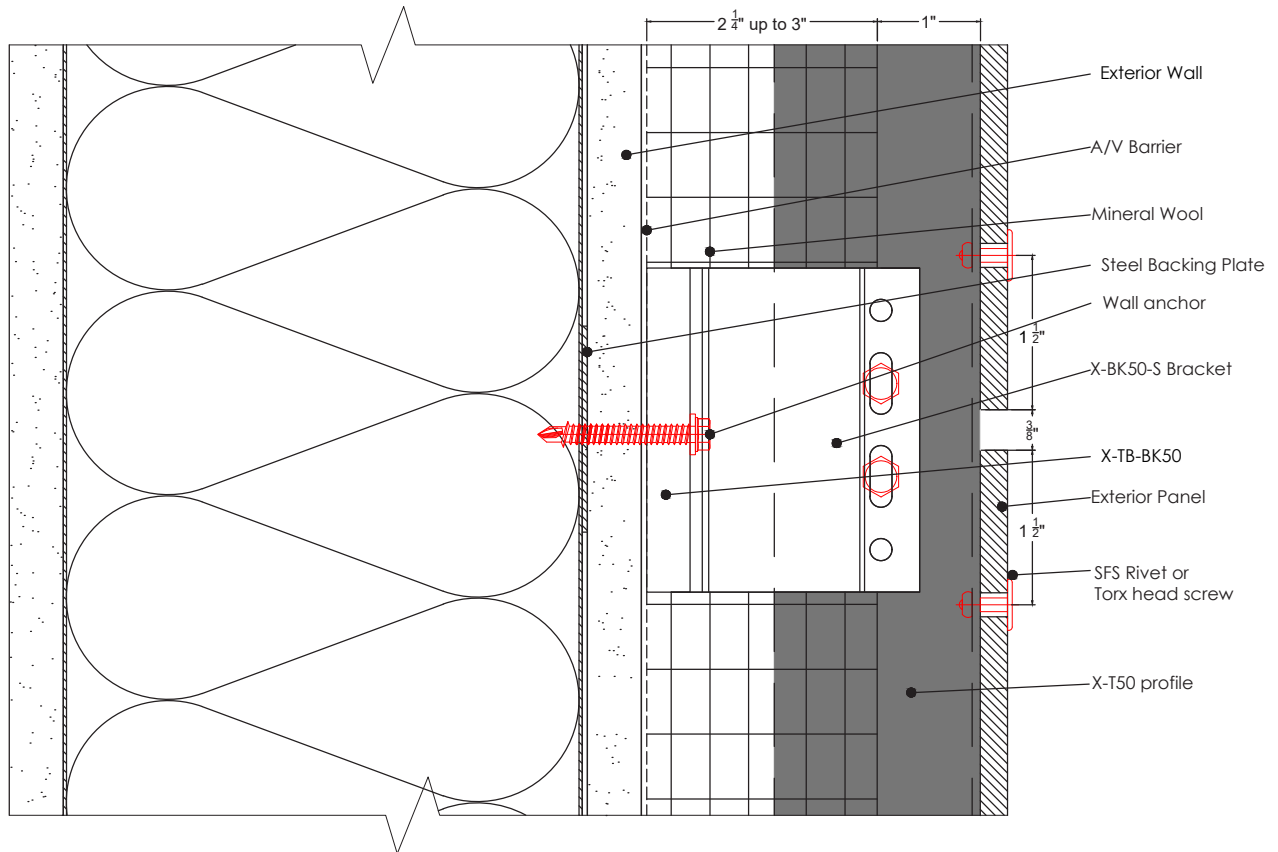
X-BK50

DETAIL:

SECTION WINDOW HEAD

DETAIL SHEET:

BK50-09



NOTES:



SYSTEM:

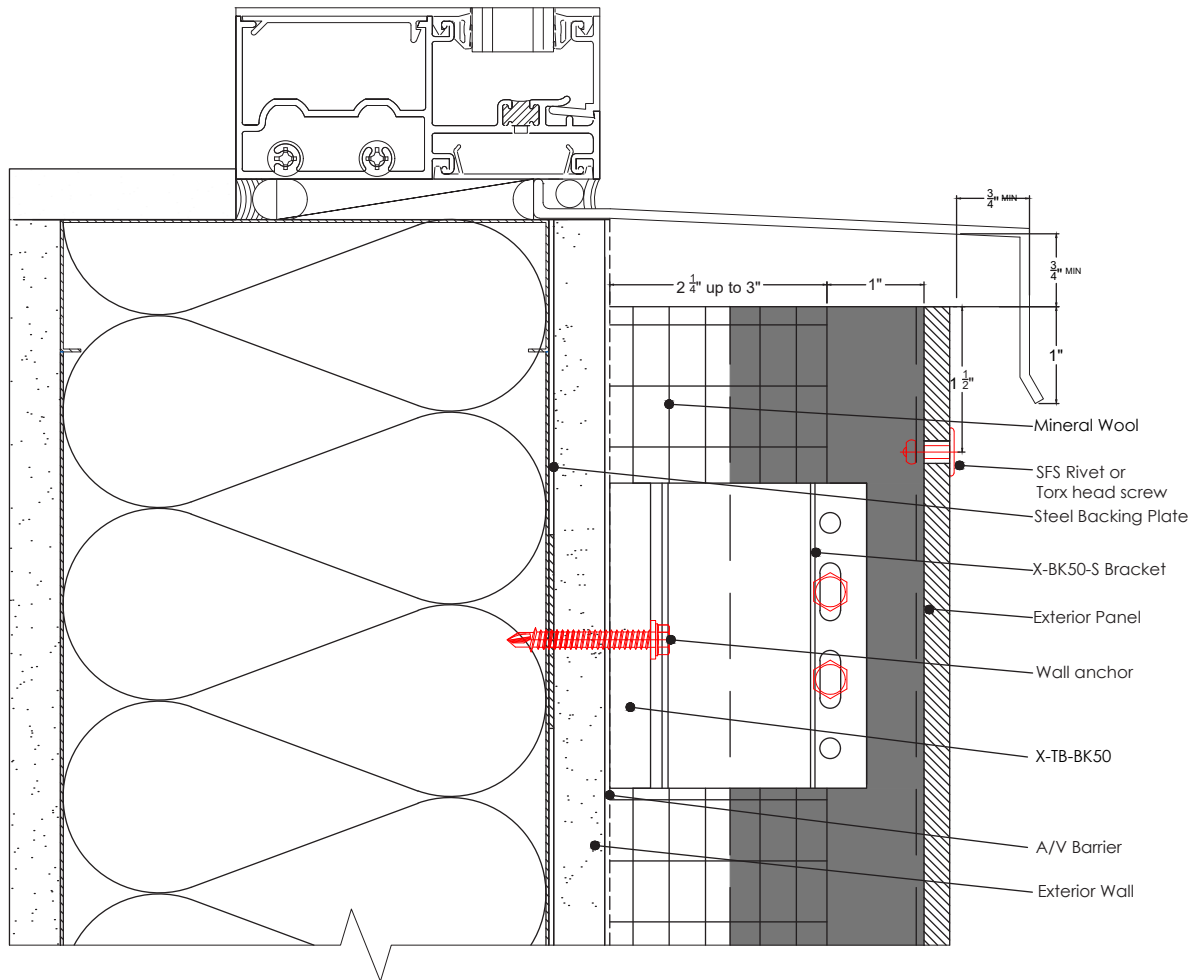
X-BK50

DETAIL:

SECTION HORIZONTAL PANEL JOINT

DETAIL SHEET:

BK50-10



NOTES:



SYSTEM:

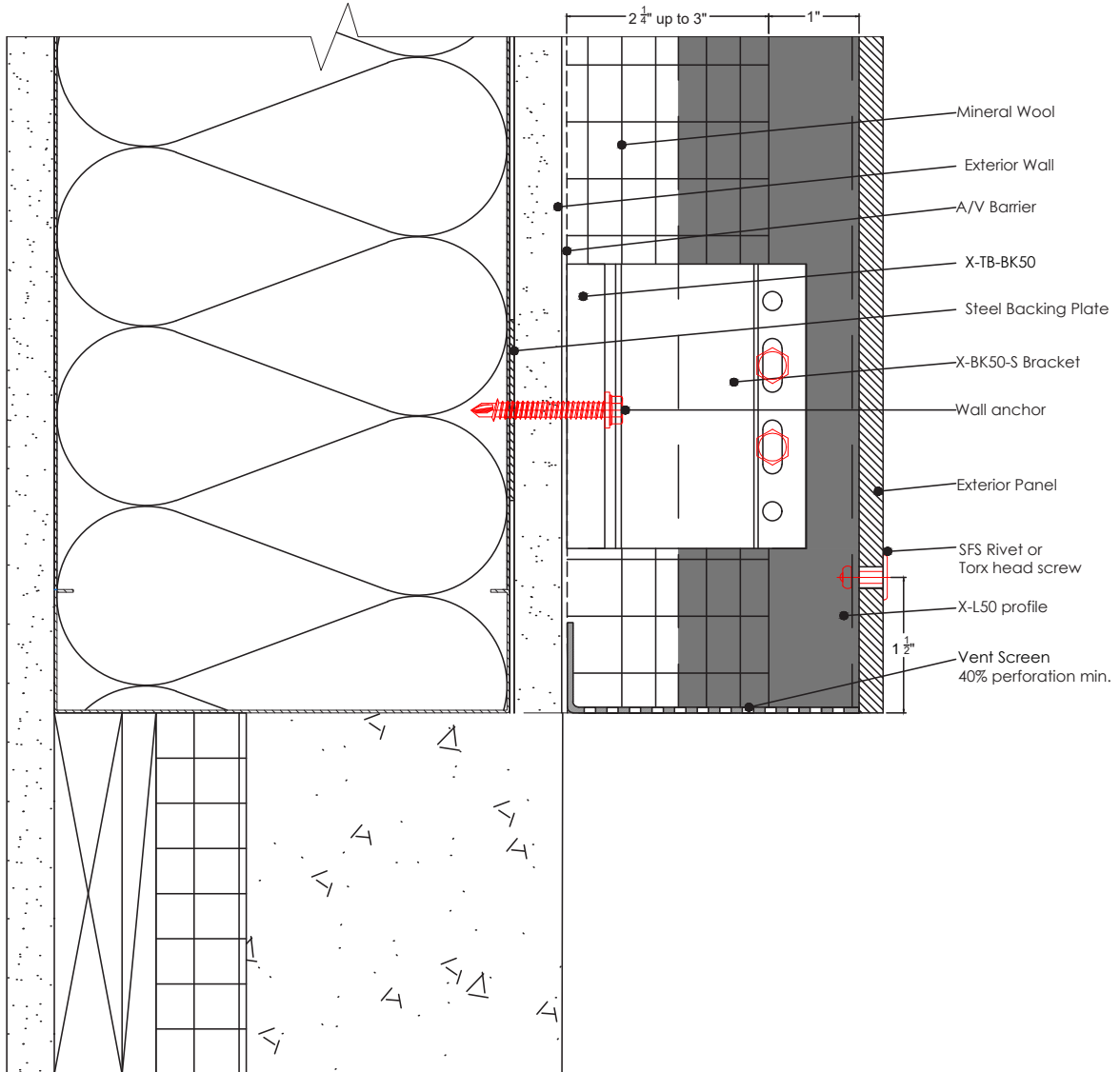
X-BK50

DETAIL:

SECTION WINDOW SILL

DETAIL SHEET:

BK50-11



NOTES:



SYSTEM:

X-BK50

DETAIL:

SECTION BASE DETAIL

DETAIL SHEET:

BK50-12